

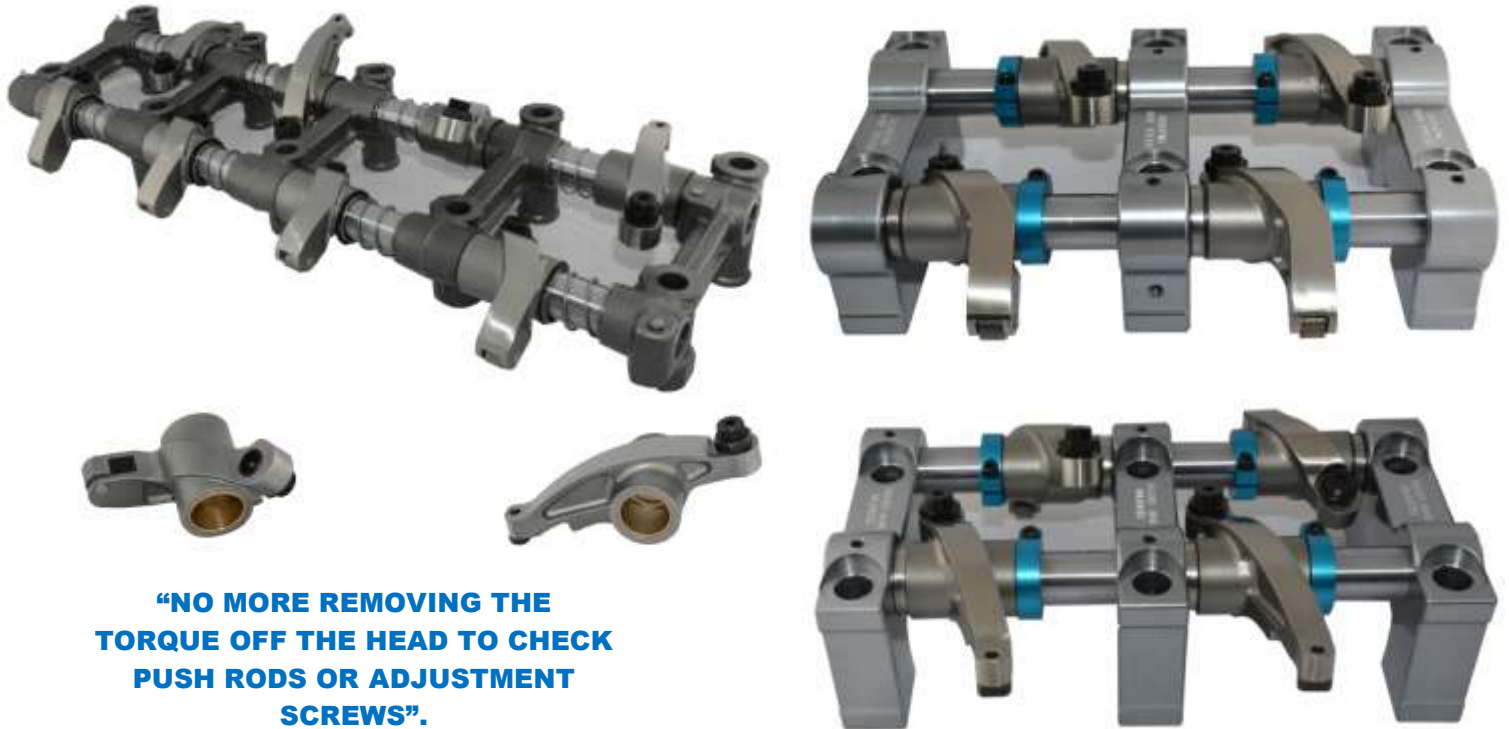


ROCKER ARMS UNLIMITED

16575 Clear Creek Rd.

Redding, CA 96001

(530) 242-1316



**“NO MORE REMOVING THE
TORQUE OFF THE HEAD TO CHECK
PUSH RODS OR ADJUSTMENT
SCREWS”.**

Chrysler Hemi

331-392 cid Adjustable Rocker Arms.

Rocker Arms are 17-4 Stainless lost wax Investment Cast Body

Chrome moly Axel and Roller (Replaceable)

Bronze Bushing SAE 3200 (Needle Bearing Capability for stock Diameter shafts)

Internal Pressurized Oiling to Valve tip and Adjuster Screws

Large 3/8 Cup Adjuster 1/2 dia, 32 Tread for fine adjustment.

Special Added Features

Stock Valve to .100 length, uses Stock Supports 1.6 Intake – 1.54 Exhaust

Tall Valve .200 - .300 plus length utilizes the strongest billet 7075 Supports. 1.72 Intake
and 1.56 Exhaust Rockers.